

# TORUS<sup>®</sup>

## Linear Magnetrons



**Kurt J. Lesker**<sup>®</sup>  
Company

**PROCESS EQUIPMENT**<sup>™</sup>  
DIVISION

### Applications

---

- Automotive
- Architectural Glass
- Photovoltaics
- Superconductors
- Tool Coating
- Wear Coating
- Flat Panel displays
- Lighting
- OLED/ PLED's
- Medical
- Web coating
- Aerospace
- Wear coatings
- Decorative
- Photovoltaics
- Nanotechnology
- Optical

### Features

---

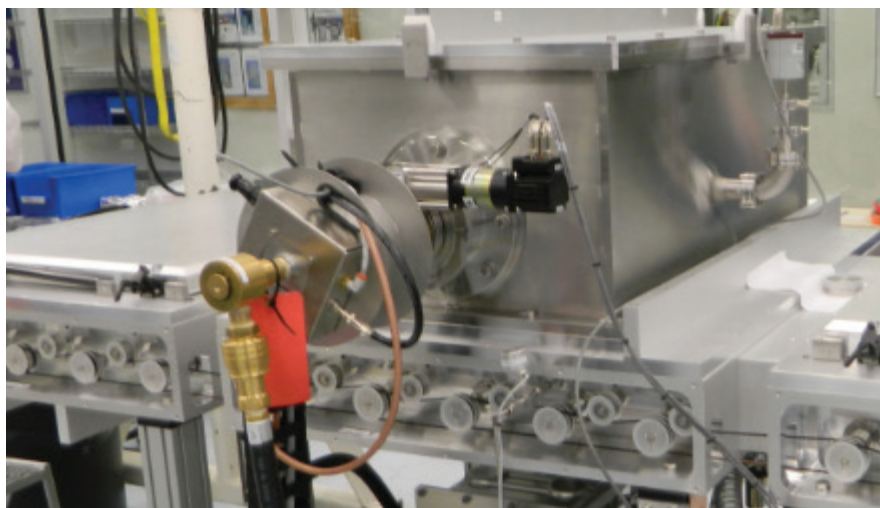
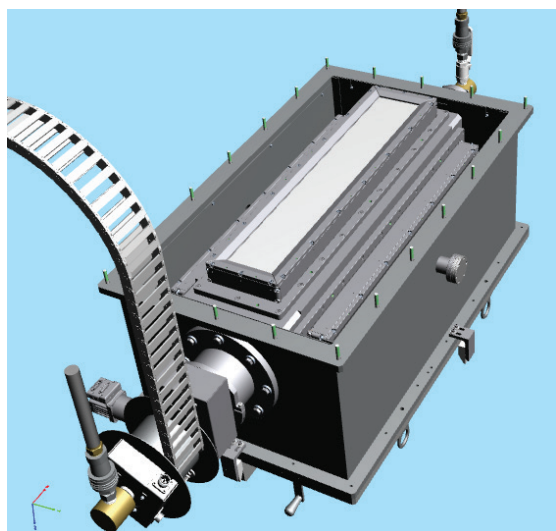
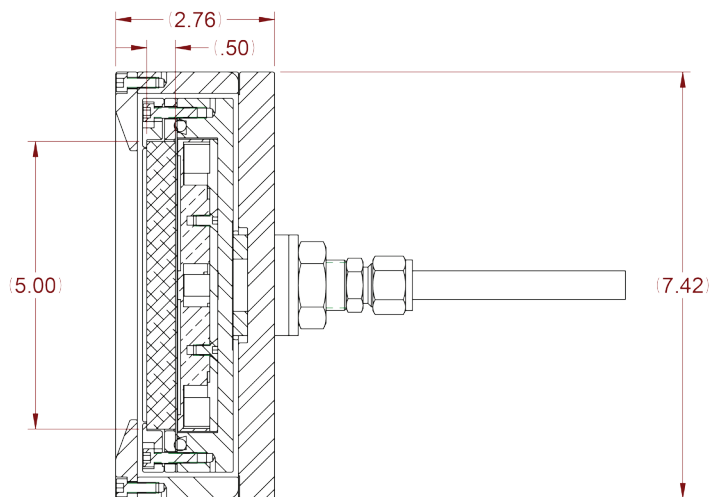
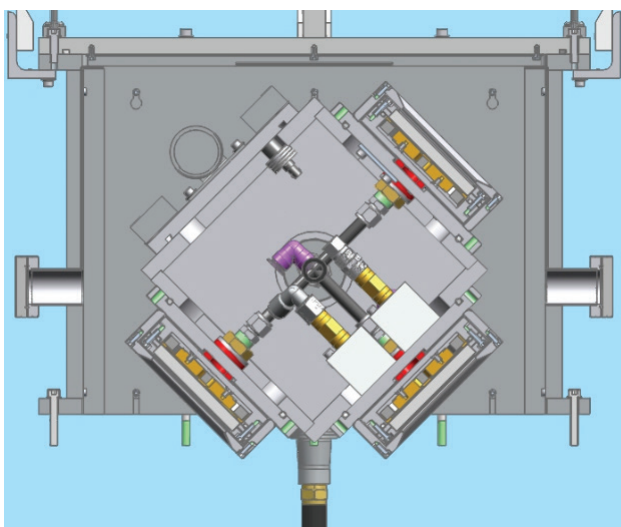
- 30+ years experience
- Standard 3.5" and 5" wide designs
- Direct and Indirect-cooled target options
- Internal and External mounting
- Standard and High Field magnet arrays
- Balanced and Unbalanced magnet options
- Quick target change
- Slotted clamps and shields
- Drop-down anode assembly
- SAE and metric hardware options
- Worldwide sales and technical support
- 1 year warranty

### Options

---

- Angular Flex Stem
- Right Angle Stem
- Deposition Chimney
- Gas Ring
- High Strength Magnets
- Shutters
- Cluster Assemblies

[www.lesker.com](http://www.lesker.com)



## Specifications

Magnet Assembly	High strength, rare earth NdFeB (Neodymium Iron Boride)
Temperature Rating	110° C
Power Rating	DC: 100 watts/in2 (Indirect-Cooled), 250 watts/in2 (Direct Cooled) RF: 1/3 DC power
Operating Pressure	Typical range from 1-50 mTorr
Target Cross-Sections	Standard options: 3.5" and 5" (*Custom options available upon request)
Target Lengths	Lengths up to 4 meters
Target Utilization	Typical utilization in the 40% range (with Non-magnetic materials in a non-reactive mode)
Uniformity	Typical uniformity in the ±3%-5% range
Drop-Down Anode Walls	Quick and Easy target change - Anode shields do not need to be removed
Cooling	Direct and Indirect-Cooled target options
Worldwide Technical Support	Headquarters in USA, Canada, UK and China
Warranty	All products covered by a 1-year warranty

Kurt J. Lesker Company (KJLC) specifications and/or test data may not be copied, reproduced or referenced without express written permission of KJLC.

**Kurt J. Lesker**  
Company

[www.lesker.com](http://www.lesker.com)

Kurt J. Lesker Company  
United States  
412.387.9200  
800.245.1656  
salesus@lesker.com

Kurt J. Lesker Canada Inc.  
Canada  
416.588.2610  
800.465.2476  
salescan@lesker.com

Kurt J. Lesker Company Ltd.  
Europe  
+44 (0) 1424 458100  
saleseu@lesker.com

Kurt Lesker (Shanghai) Trading Company  
科特·莱思科(上海)商贸有限公司  
Asia  
+86 21 50115900  
saleschina@lesker.com

