

# OCTOS™ 6

## Robotic Cluster Tool Distribution Vessel



**Kurt J. Lesker**  
Company

**PROCESS EQUIPMENT™**  
DIVISION

### Applications

---

- The OCTOS™ 6 robotic cluster tool facilitates accurate and repeatable multi chamber in-vacuum substrate transfer-ideal for R&D and pilot production applications.
- Fully automated with recipe control and is designed to accept standard, KJLC process modules. In addition, fully interconnected, independent control of each process module can be supplied, becoming a true multi-user installation.

### Features

---

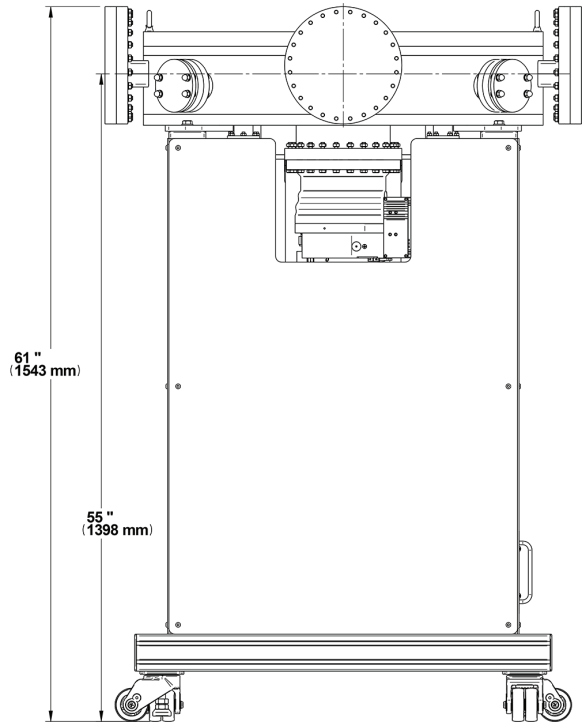
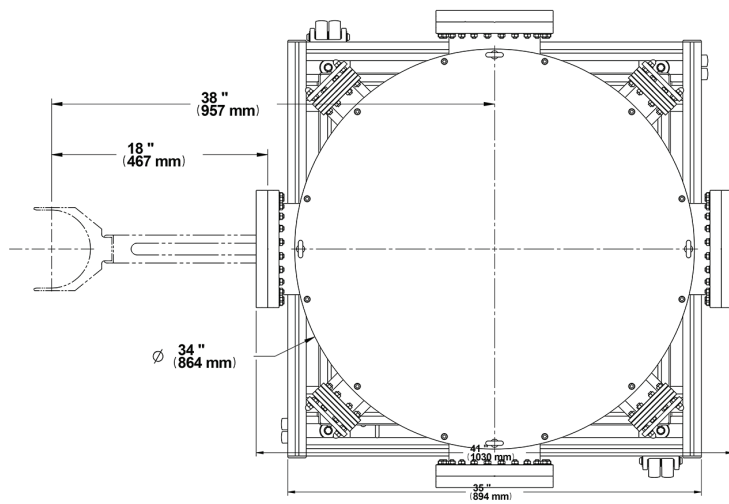
- High precision servo-controlled robot
- Robot MTBF >80,000 hours
- Stainless steel vacuum vessel construction with o-ring sealed top plate
- Modular framework
- Cryogenic or turbomolecular high vacuum pumping
- Accommodates up to 6" (150 mm) substrates
- Fully automated computer control
- CF process chamber ports

### Options

---

- Standard KJLC PVD process modules (magnetron sputtering, thermal evaporation, e-beam evaporation)
- Single or multi wafer load lock modules
- Glovebox integration
- Transfer to 3rd party process modules
- Standard KJLC ALD module

[www.lesker.com](http://www.lesker.com)



Dimensions Approximate

## Specifications

<b>Number of Transfer Ports</b>	Up to 6
<b>Transfer Mechanism</b>	Genmark AVR Robot
<b>Cycle Time</b>	20 sec
<b>Substrate Size (max)</b>	6" (150 mm) Diameter or Square
<b>R-axis (vessel center to transfer fork center)</b>	34" (864 mm) with 6" Transfer Forks
<b>Transfer Height (from floor)</b>	44" (1118 mm)
<b>Z-axis (vertical)</b>	1" (25.4 mm)
<b>Linear Repeatability</b>	±.001" (.025 mm)
<b>Angular Repeatability</b>	±.01°
<b>Vertical Repeatability</b>	±.001" (.025 mm)
<b>Maximum Payload</b>	5 lb (2.27 kg)
<b>Internal Wafer Storage</b>	No
<b>Load Lock Compatible</b>	Yes
<b>Vacuum Pumping</b>	Turbo or Cryo Pump with Dry Backing Pump
<b>Base Pressure (CDE)</b>	5 X 10 <sup>-7</sup> Torr or Lower
<b>System Control</b>	PC-Based Control System
<b>Available Certifications</b>	NRTL, CSA, CE, Others on Request
<b>Weight (approx)</b>	1,100 lbs (499 kg)

Kurt J. Lesker Company (KJLC) specifications and/or test data may not be copied, reproduced or referenced without express written permission of KJLC.

**Kurt J. Lesker**<sup>®</sup> Company **Enabling Technology for a Better World** | [www.lesker.com](http://www.lesker.com)

Kurt J. Lesker Company  
United States - salesus@lesker.com  
412.387.9200  
800.245.1656

Kurt J. Lesker Canada Inc.  
Canada - salescan@lesker.com  
416.588.2610  
800.465.2476

Kurt J. Lesker Company Ltd.  
EMEIA - EMEIASales@lesker.com  
+44 (0) 1424 458100

Kurt Lesker (Shanghai) Trading Company  
科特·莱思科(上海)商贸有限公司  
Asia - salesasia@lesker.com  
+86 21 50115900